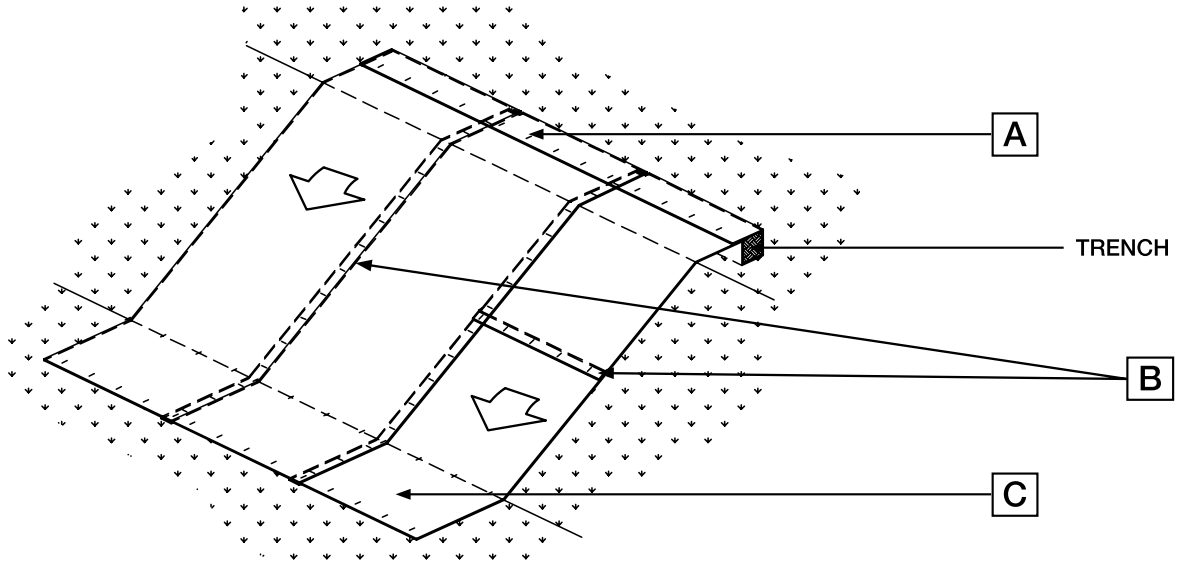


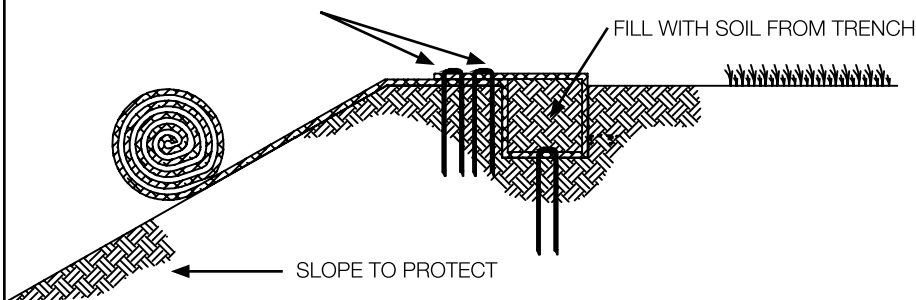
## INSTALLATION GUIDELINES FOR SLOPE PROTECTION ROLL OVERLAP (WITH TRENCH)



NOTES: IT IS RECOMMENDED THAT THE MATS BE INSTALLED IN THE DIRECTION OF WATER FLOW, HOWEVER, ON SHORT SLOPES IT MAY BE MORE PRACTICAL TO INSTALL THEM HORIZONTALLY ACROSS THE WIDTH OF THE SLOPE, RATHER THAN VERTICALLY.

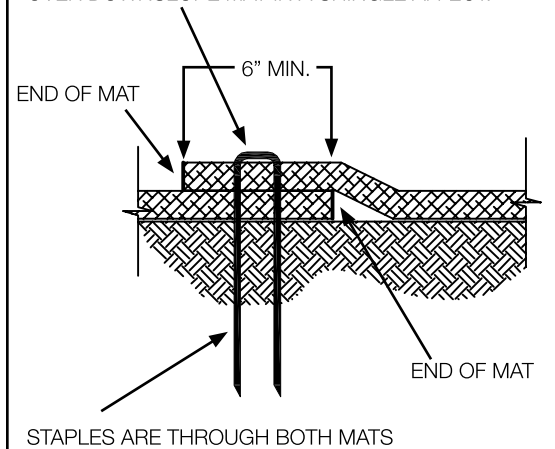
### A: TOP OF SLOPE ANCHORING DETAIL (WITH TRENCH)

2 ROWS OF STAPLES 4" APART, STAGGERED

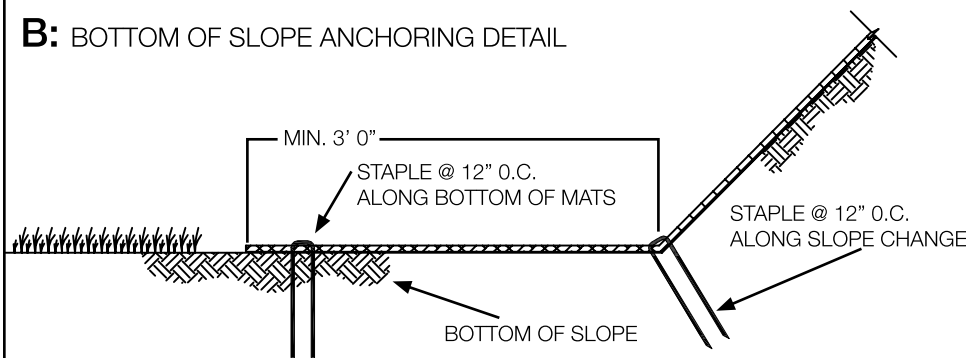


### C: SIDE SEAM STAPLE DETAIL

END SEAM OF MATS OVERLAP 6". PLACE STAPLES, ONE ON EACH CORNER OF MATS, 12" O.C. ALONG MAT END THRU BOTH MATS. UPSLOPE MAT LAPS OVER DOWNSLOPE MAT IN A SHINGLE AFFECT.



### B: BOTTOM OF SLOPE ANCHORING DETAIL



DISCLAIMER: THE INFORMATION CONTAINED HEREIN HAS BEEN COMPILED BY INDUSTRIAL FABRICS, INC. AND TO THE BEST OF OUR KNOWLEDGE, ACCURATELY REPRESENTS THE GREENSOLUTIONS PRODUCT IN THE APPLICATIONS WHICH ARE ILLUSTRATED, FINAL DETERMINATION OF THE SUITABILITY FOR THE USE CONTEMPLATED AND IT'S MANNER OF USE ARE THE SOLE RESPONSIBILITY OF THE USER, STRUCTURAL DESIGN AND ANALYSIS SHALL BE PERFORMED BY A QUALIFIED ENGINEER.

THE DRAWING IS BEING FURNISHED FOR THIS SPECIFIC PROJECT ONLY. ANY PARTY ACCEPTING THIS DOCUMENT DOES SO IN CONFIDENCE AND AGREES THAT IT SHALL NOT BE DUPLICATED IN WHOLE OR PART, NOR DISCLOSED TO OTHER WITHOUT THE CONSENT OF INDUSTRIAL FABRICS, INC.

For additional information contact GREENSOLUTIONS at 225-273-9600 or 1-800, 848-4500. Fax: 225-273-0440.